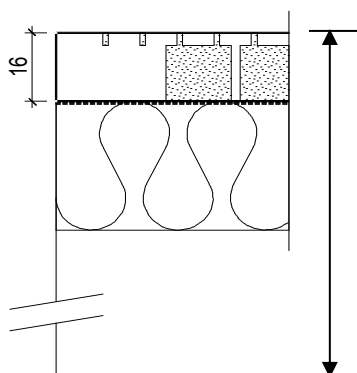


Acoustical Absorption Coefficient according to ISO 354

Object: TOPPERFO® wall- and ceiling panelling
 Type TOPPERFO® CLOU 8/8/1.2



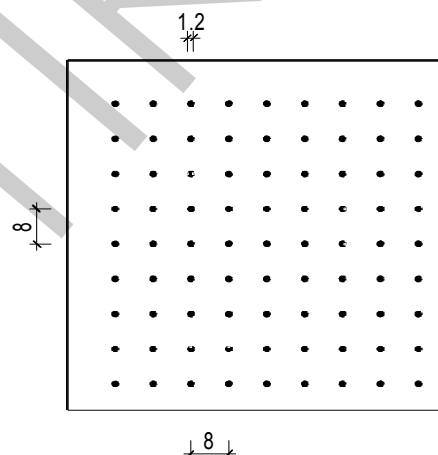
Research: Laboratory: SWISSCOM AG 11.08.2000
 Test area: 12 m² Relative atmospheric humidity: 57%
 Echo space volume: 214.3 m³ Temperature: 19 degrees



CLOU 8/8/1.2
 Acoustic fleece

Mineral wool 30 mm

Suspension heights:
216/76 mm
 Cavity 170/30 mm



Acoustical Absorption - Medium values

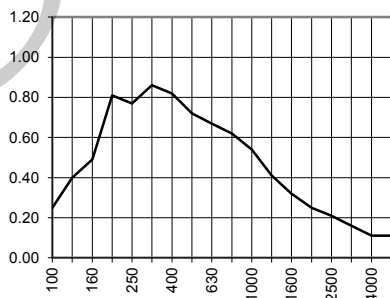
Low frequency range (100-315 Hz): 0.60
 Medium frequency range (400-1250 Hz): 0.63
 High frequency range (1600-5000 Hz): 0.19

Acoustical Absorption - Medium values

Low frequency range (100-315 Hz): 0.50
 Medium frequency range (400-1250 Hz): 0.69
 High frequency range (1600-5000 Hz): 0.19

| Freq. [Hz] | Terz |
|------------|------|
| 100 | 0.25 |
| 125 | 0.40 |
| 160 | 0.49 |
| 200 | 0.81 |
| 250 | 0.77 |
| 315 | 0.86 |
| 400 | 0.82 |
| 500 | 0.72 |
| 630 | 0.67 |
| 800 | 0.62 |
| 1000 | 0.54 |
| 1250 | 0.41 |
| 1600 | 0.32 |
| 2000 | 0.25 |
| 2500 | 0.21 |
| 3150 | 0.16 |
| 4000 | 0.11 |
| 5000 | 0.11 |

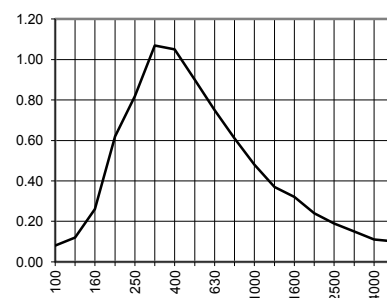
Suspension height 216 mm



NRC
0.57

| Freq. [Hz] | Terz |
|------------|------|
| 100 | 0.08 |
| 125 | 0.12 |
| 160 | 0.26 |
| 200 | 0.62 |
| 250 | 0.82 |
| 315 | 1.07 |
| 400 | 1.05 |
| 500 | 0.90 |
| 630 | 0.75 |
| 800 | 0.61 |
| 1000 | 0.48 |
| 1250 | 0.37 |
| 1600 | 0.32 |
| 2000 | 0.24 |
| 2500 | 0.19 |
| 3150 | 0.15 |
| 4000 | 0.11 |
| 5000 | 0.10 |

Suspension height 76 mm



NRC
0.61