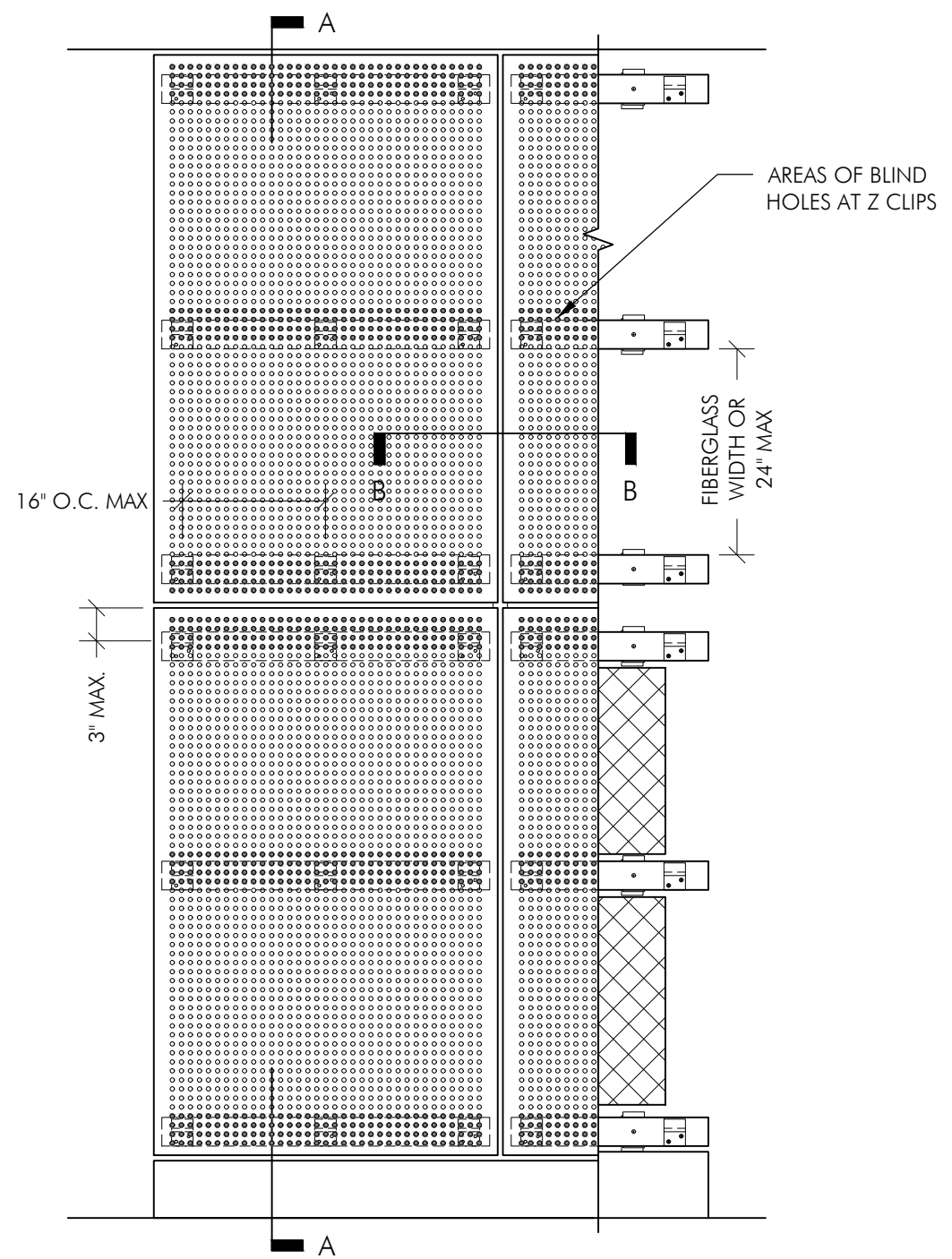
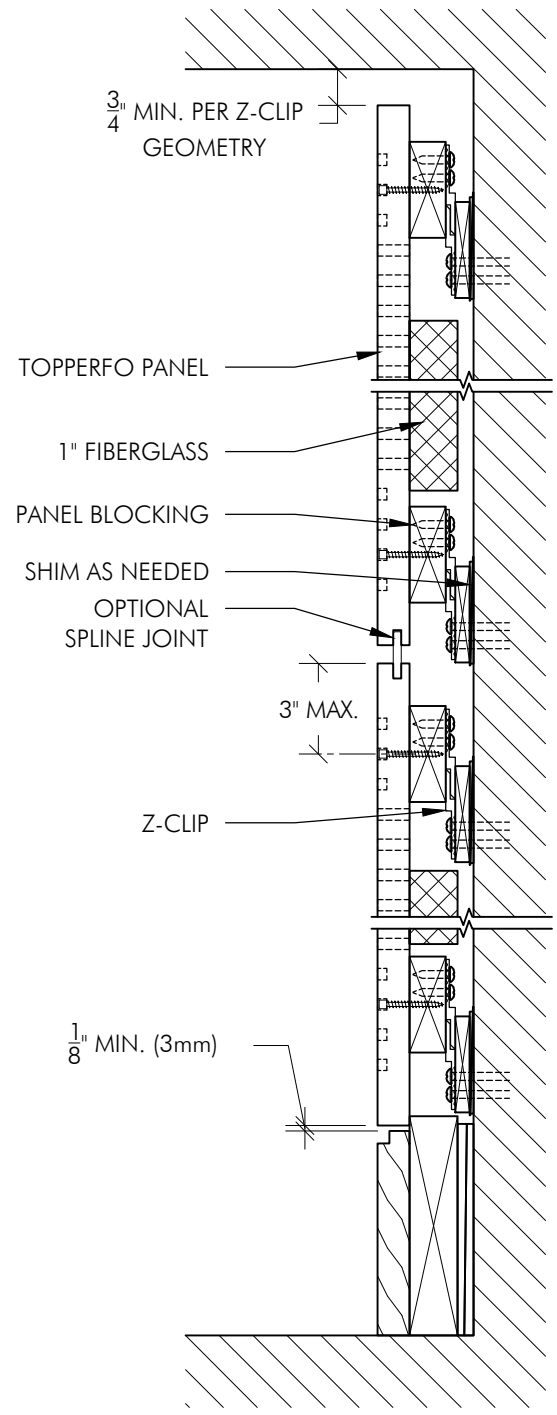


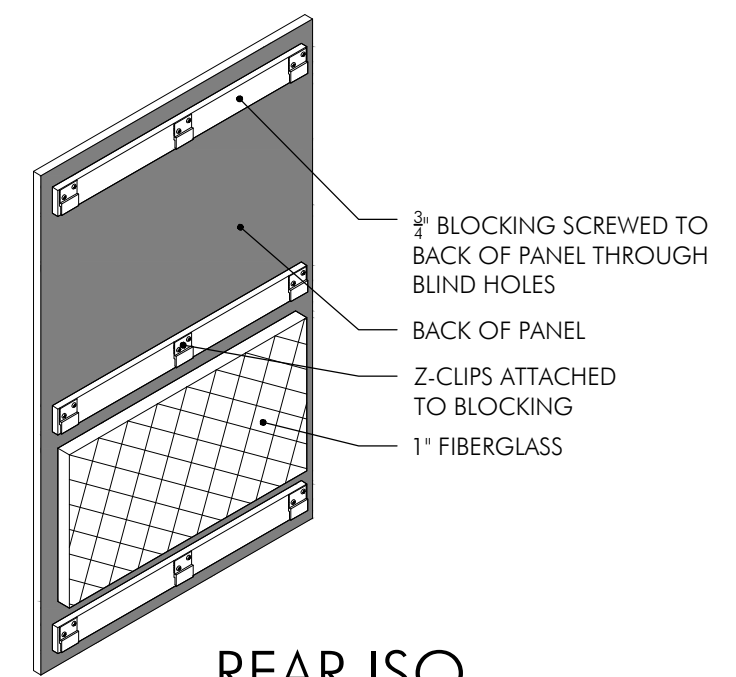
USE MONARCH MF625 OR EQUIVALENT Z-CLIPS. PROVIDED BY INSTALLER UNLESS NOTED OTHERWISE.



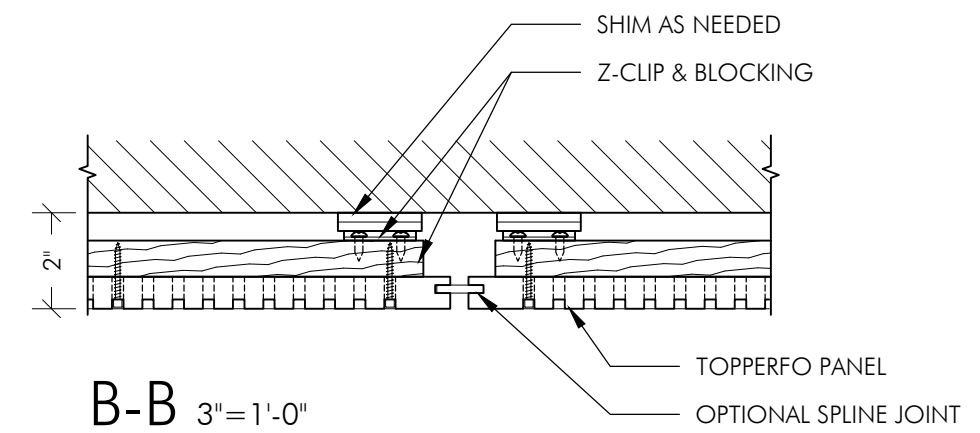
ELEVATION 1"=1'-0"



A-A 3"=1'-0"



REAR ISO



B-B 3"=1'-0"

SYSTEM SHOWN WITH TOTAL THICKNESS OF 2". ACTUAL BLOCKING MATERIAL AND Z-CLIP USED IS DETERMINED BY INSTALLER. ACTUAL THICKNESS OF TOPAKUSTIK PANELS IS 16mm (0.630") PAINTED OR 17mm (0.669") VENEERED. USE FIBERGLASS PER SPECIFICATION (SUPPLIED BY INSTALLER UNLESS NOTED OTHERWISE).

TOPPERFO PANELS Z-CLIP WALL MOUNT	TOPAKUSTIK	SCALE: NOTED PAGE: 1/1
	(410) 849-4333 www.topakustikusa.com Production Tolerance: ±1/32" PER 36" of product	DRAWN BY: WRM DATE: 04/02/2020 3 rd ANG. PROJ.

These drawings show typical installation conditions for Topakustik® and Topperfo® products. They do not account for the specific requirements of local building codes, laws, etc. that may be applicable for a particular installation. Topakustik® does not warrant, and assumes no liability for the accuracy or completeness of the drawings for a particular installation or their fitness for a particular purpose. The user is advised to consult with a duly licensed architect or engineer in the particular local of the installation to assure compliance with all legal requirements. Topakustik® is not licensed to provide professional engineering design services.